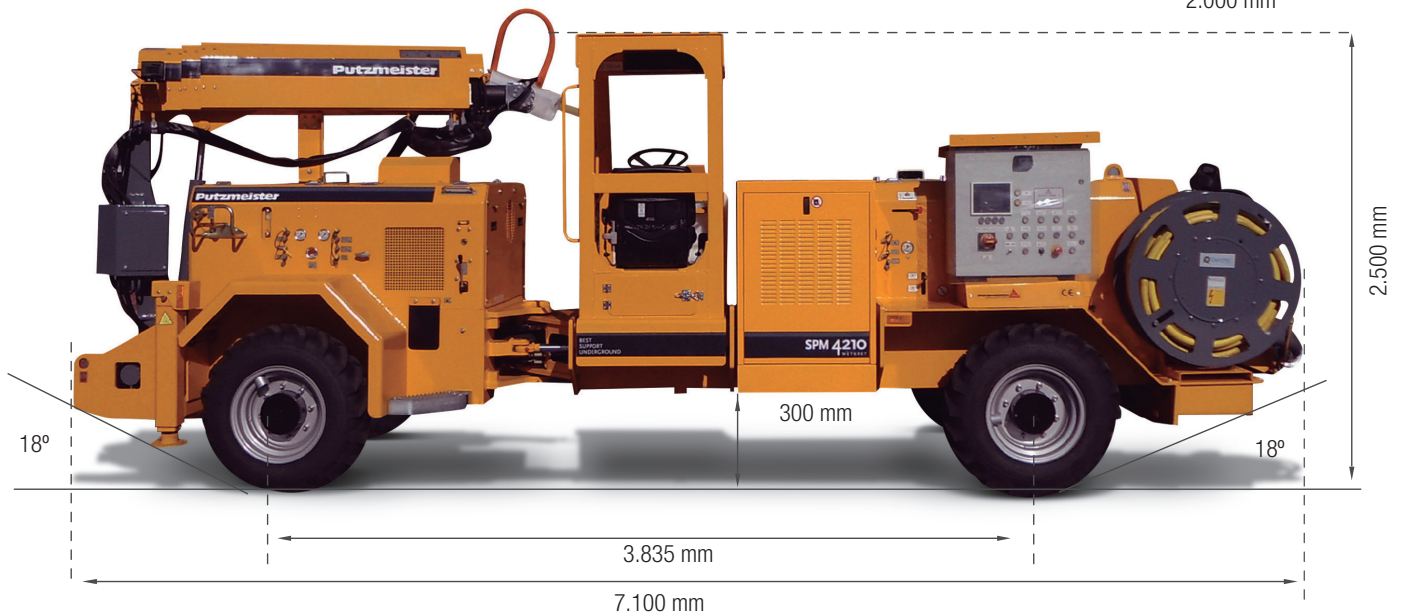
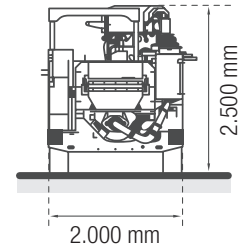


Concrete spraying equipment

SPM 4210 Wetkret

Maximum spraying reach 10 m
Max. flow (theor.) 20 m³/h



Note: This is a merely informative, non-binding document. Maximum theoretical values listed. Specifications are subject to change without prior notice. Photos and drawings are for illustrative purposes only. For available options, please consult the factory.

Data sheet

Putzmeister telescopic spraying arm SA 10.1		
Maximum spraying reach vertical / horizontal	m	10 / 8
Minimum working section vertical / horizontal	m	2,5 / 2,4
Number of arm extensions: 4 sections (3 telescopic), proportional hydraulic drive		
Telescopic stroke	m	4
Number of axles / degrees of freedom		6
Maximum arm angle	°	+65 / -40
Lights 2 Xenon spotlights	V / W	24 / 45
Spraying Head		
Rotation	°	360
Inclination	°	+120/-120
Nutation	°	10
Nozzle	DN	40

Hopper		
Full hopper capacity	l	250
Filling height	mm	1.300
Spotlight	V / W	24 / 70
Putzmeister concrete pump PM 1507		
Type double-piston, hydraulic drive		
Max. flow (theor.) (variable 4 - 20 m ³ /h)	m ³ /h	20
Transport cylinder diameter	mm	150
Transport cylinder diameter	bar	65
Max. aggregate size	mm	16
Automatic lubrication system		
Pumping and spraying drive system		
Electric	kW	37
Diesel (DUAL DRIVE version*). Carrier Diesel engine		
* Dual drive system (Electric / Diesel)		

Data sheet

Additive pump synchronized with concrete pumping		
Adjustment range	l/h	60 – 500
Maximum working pressure	bar	7,5
Additive tank	l	400
Control system		PLC
Cable reel manual		
Cable length	m	50
Power 400 V / 50 Hz or 440 V / 60 Hz		
Diameter	mm	900
Putzmeister proportional remote control		
Drive electric, dual use (radio/cable 20 m)		
High pressure water pump for cleaning		
Max. pressure	bar	140
Flow	l/min	10,8
Hose	m	15
Weight 9.500 kg with compressor, 8850 kg without compressor		

Putzmeister articulated off-road vehicle, 4-wheel drive		
Engine turbodiesel, 4 cylinders		
Engine power (74 HP) at 2.600 rpm	W	55
Engine emissions according to EU-Stage III A / EPA-Tier 3		
Transmission hydrostatic		
Gearbox 2-speed in both directions		
Steering hydraulic, articulated steering		
Traction		4 WD
Speed max.	km/h	20
Service brakes: on both axles, multi-disc in oil bath.		
Parking brake: on both axles, internal SAHR discs (negative)		
Working lights: 4 LED spotlights	V / W	24 / 25
Driver cabin FOPS/ROPS certified. Adjustable driver's seat with mechanical suspension and safety belt		
Electrical equipment 2 batteries	V / A	12 / 70
Diesel tank	l	65
Inner / outer turning radius	l	3.950 / 6.650
Max. gradient while driving: longitudinal 35% / transversal 10%		

Optional equipment

Alternative engine
Engine turbo Diesel, 4 cylinders
Power 72 kW (97 HP) at 2.500 rpm
Engine emissions in accordance with EU-Stage II / EPA-Tier 2
AAC system automatic altitude compensation
Electric / Diesel compressor (dual drive version)
Power 37 kW / 55 kW

Max. working pressure 7,5 bar / 7 bar
Max. air flow 6,8 m ³ /min
Fire extinguishing system
Drive automatic / manual
Other
Wheels for mining, Michelin
Catalytic converter (standard on DUAL DRIVE version)
Particle filter

Special low-profile hopper (1.150 mm)
Additional 50 m of cable (total 100 m)
Cable reel, hydraulic operation
Tramming direction lights
Special Voltages
Power 660 V 50/60 Hz or 1.000 V 50/60 Hz

Consult Putzmeister for special configurations

Spraying arm reach diagrams and spraying area

