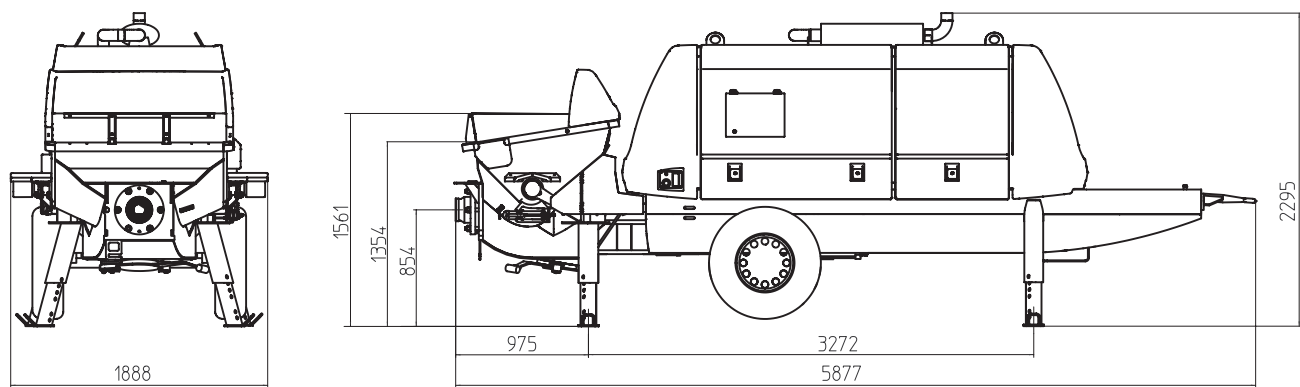


Concrete pump

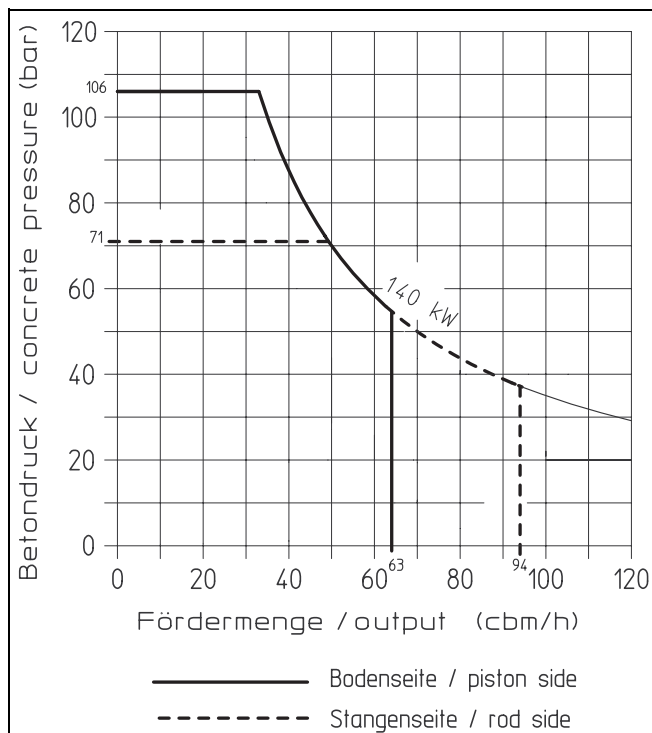
BSA 1409 D

Output up to 94 m³/h
 Delivery pressure up to 103 bar



Note: Standard version. Dimensions and weights depend on equipment.

Performance diagram

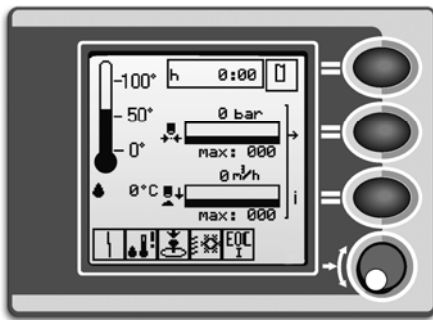


Technical data for concrete pump

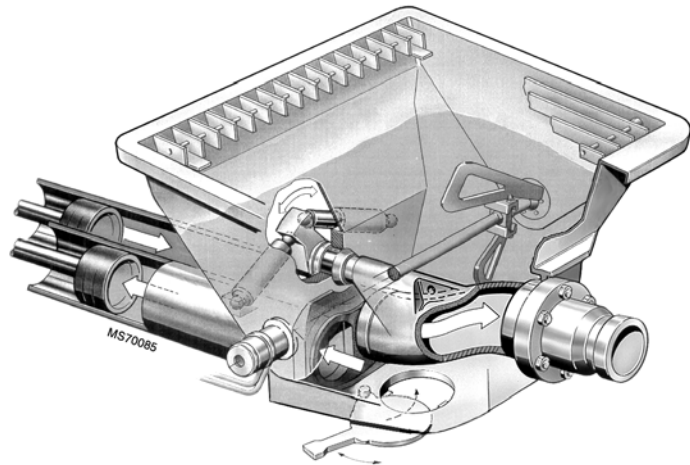
Model		BSA 1409 D
Material number		101986.007
Output	m ³ /h	94 / 63*
Delivery pressure	bar	71 / 106*
Delivery cylinder	Ø mm	200
Delivery cyl. stroke	mm	1400
Strokes / minute		35 / 23*
Engine power	kW	140
Hopper		RS 905A
Capacity	l	aprox. 600
Filling height	m	1.3
Transfer tube		S 2015 D
Pressure connection	"	6
Control system		FFH-20

* Values for hydraulic fluid being fed to piston-side.

All data maximum theoretical



EGD - Ergonic Graphic Display



Hopper with transfer tube

Delivery scope

- Drive diesel, Deutz engine, 140 kW, with automatic engine adjustment depending on air-pressure
- Hopper with agitator
- Operating manuals cert. and spare part lists 2x
- Tool set incl. standard equipment
- Trailer F 8, travelling on site
- Central lubrication strip hopper
- Grille 70 mm
- Coloring:
Cover MB 1227 chrome yellow / black
Frame RAL 7035 light-grey
Trailer RAL 7021 black-grey
- Cabel remote control 10 m
- CE-Kit:
- Side flaps 2x
- cover over switch cylinder
- Cleaning accessories
- Agitator safety cut-out
- Splash guard
- Flushing water pump, 20 bar, 50 l/min
- Support leg on towbar, incl. transport protection
- Cast wear parts, highly wear resistant
- Switching between rod side and pistonside feed
- Square outriggers 4x mech. 15°-slanging
- Storage rack
- Coupling ring (DIN)

Ergonic equipment

- Output regulation, electrical
- Delivery pressure regulation, electrical (EPS)
- Operating data for pump and engine shown in Ergonic Graphic Display (EGD)
- Automatic speed reduction with „Pump Stopp“
- Pump flow meter

Optional extras

- Additional operator's manual + spare parts list 1x
- Remote control
- Central lubrication, electrical
- Particulate filter
- Trailer F80 Tandem, with air-pressure brake
- Rubber collar
- Crawler chassis RF (see BP 3631)
- High pressure cleaner, 140 bar, 600 l/h with spray gun and 8 m high pressure hose
- Vibrator, electrical
- Paint, single-coloured
- Coupling ring (NATO)

Please see quotation for exact delivery scope.