

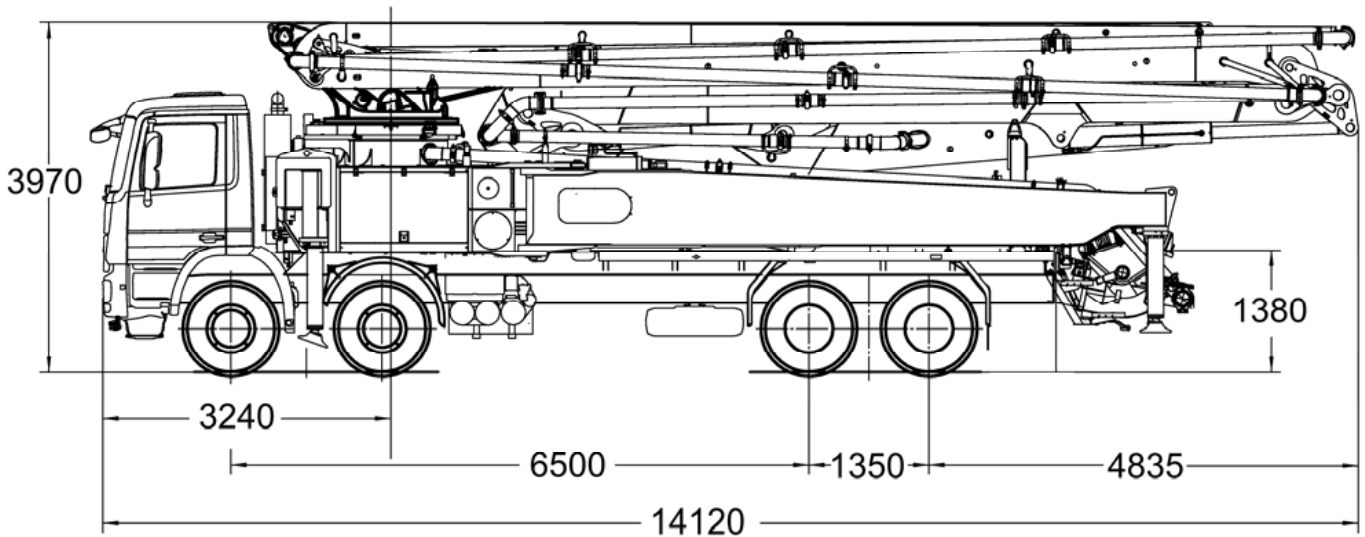
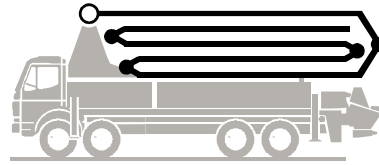
Putzmeister

Truck-mounted concrete pump BSF 56-5.16 H

.16 H LS

Output up to 160 m³/h

Delivery pressure up to 130 bar*



Note: Standard version. Dimensions and weights depend on truck, pump model and equipment.
Dimensions in mm, MB-Actros 4640 B, Euro 2.
For illustration only.

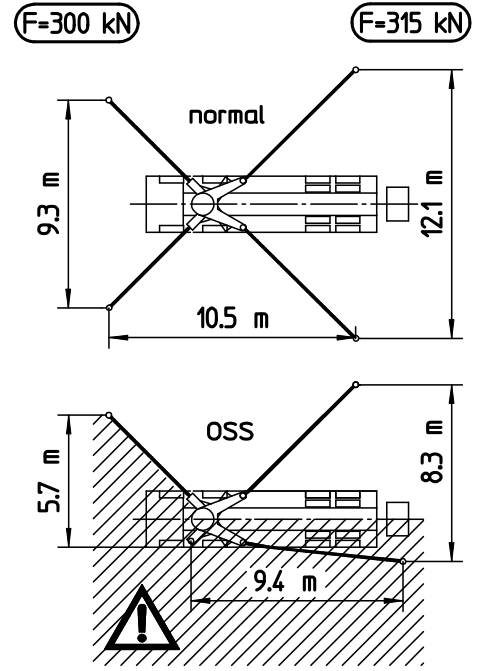
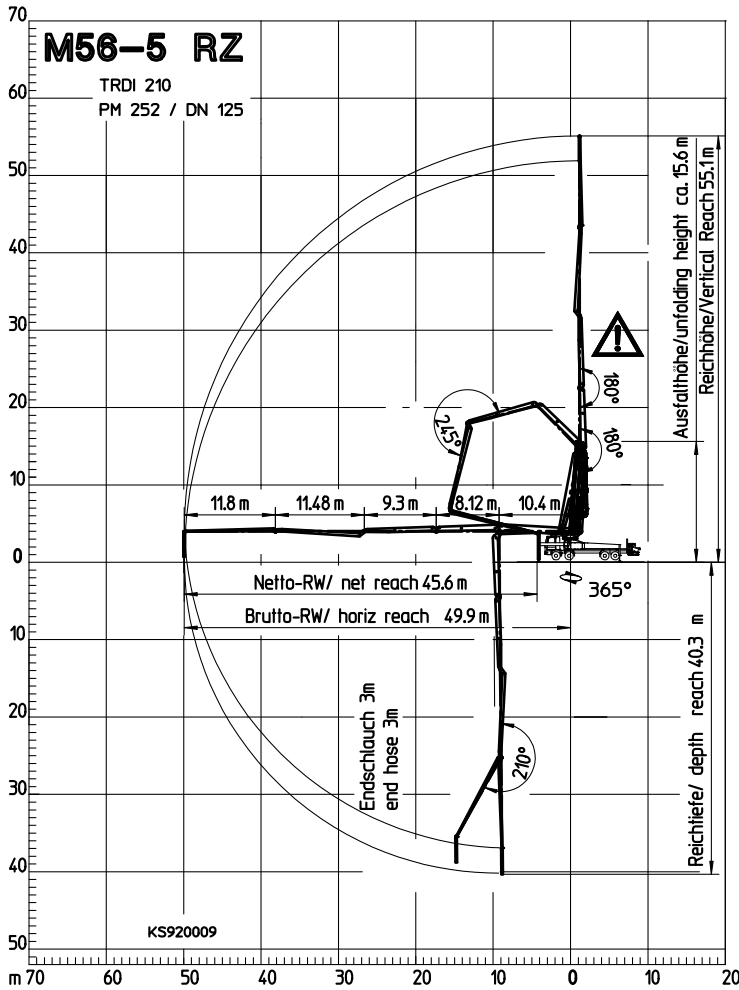
Technical data

Boom M 56-5		
Sections		5
Reach height	m	55.1
Horizontal reach	gross	m 49.9
	net	m 45.6
Reach depth max.	m	40.3
Unfolding height	m	15.6
End hose length	m	3
Folding system		RZ
Delivery line		DN 125


Pump		BSF	.16 H	.16 H LS
Rod side	Output	m ³ /h	160	-
	Delivery pressure	bar	85	-
	Strokes	1/min.	31	-
Piston side	Output	m ³ /h	108	160
	Delivery pressure	bar	130*	85
	Strokes	1/min.	21	26
	Delivery cylinder	Ø mm	230	250
	Stroke	mm	2100	2100

*) Delivery line boom max. 85 bar.
All data maximum theoretical.

Reach information diagram, Support



Dimensions can differ depending on configuration.

 Range in which you must not work with the end hose.

Serial delivery scope

- Agitator and water pump radio remote/on site controlled
- Agitator safety switch off, RFID with startup protection
- Box for sponge balls
- Cardan shaft maintenance free
- Central lubrication hopper, electrically
- Chassis horn via remote control on hopper
- Concrete hopper RS 909 with agitator
- Connections for hydraulic emergency supply
- C-pipe connection for filling water tank
- Delivery cylinder chrome-plated
- Delivery line (2-layer) PM2520, arm assembly
- Delivery piston 'compact' (16 H), 'single' (16 H LS)
- Diagnose interface
- End hose 3,0 m DN 125, 5,5"
- Ergonic Graphic Display (EGD) with machine fault management

- Ergonic Pump System (EPS) incl. Ergonic Output Control (EOC)
- Flushing water pump 160 l/min 25 bar
- Hinged elbow with cleaning port
- Hydraulic hose for replacement in hose pack
- Lighting modul control box LED
- Operating manuals 2 x (1 x paper, 1 x CD-ROM) spare part list
- OSS one side support (assistance device) not EEA countries
- Platform non-skid
- Pump on/off dependent on speed
- Radio remote control proportional with display
- Remote control without display with 40 m cable
- Rubber collar on concrete hopper
- Spectacle wear plate DURO 22
- Splash guard foldable
- Spray hose 10 m incl. bracket

- Steps, first step foldable
- S-transfer tube switchover fast/slow
- Support plates (4 x) in magazine (2 x) open
- Swivel support plates
- Tool set incl. standard equipment
- Towing eye
- Wash-out port lid with slide pin
- Water supply, hopper (1/2')
- Water tank 800 l
- Working light for illumination of hopper, detachable

See quotation for exact serial delivery scope.
Comprehensive range of options available on request.